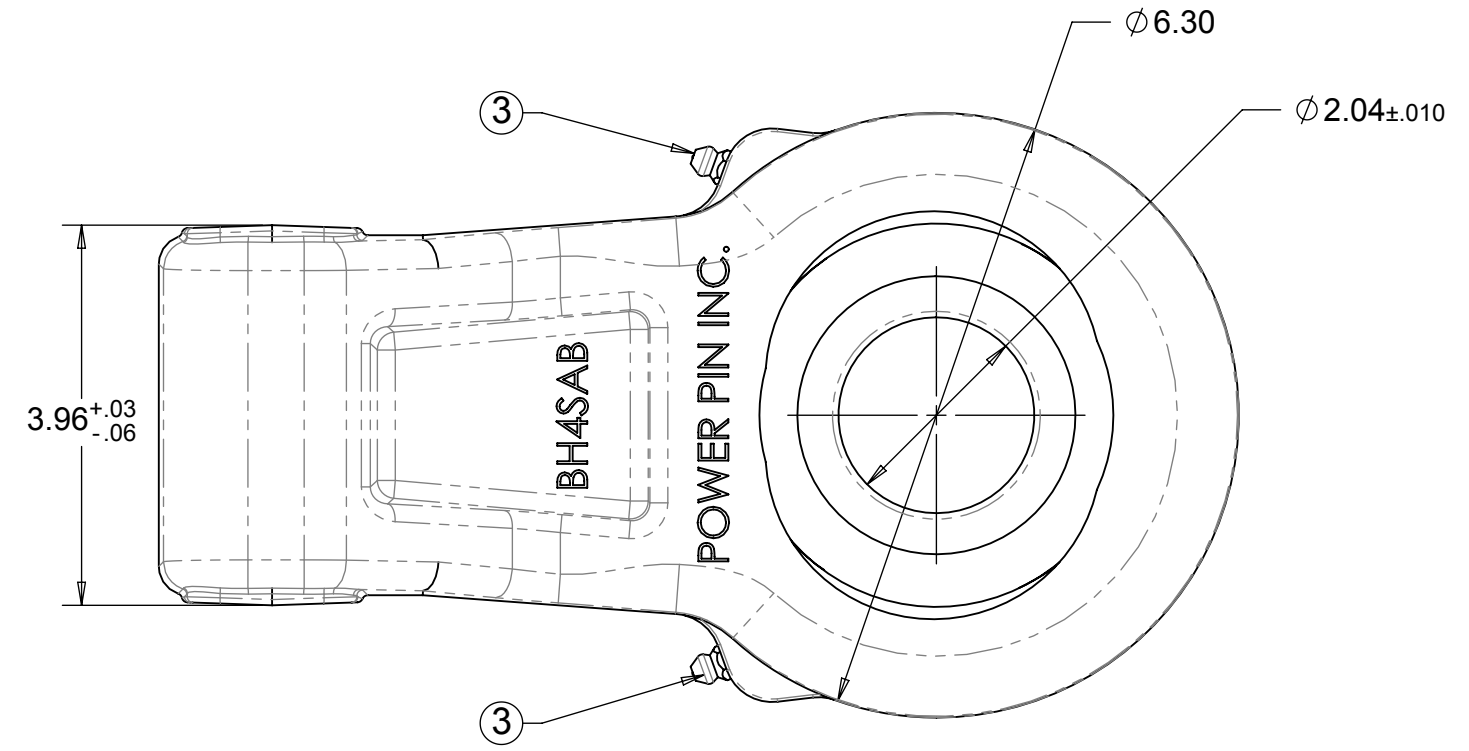
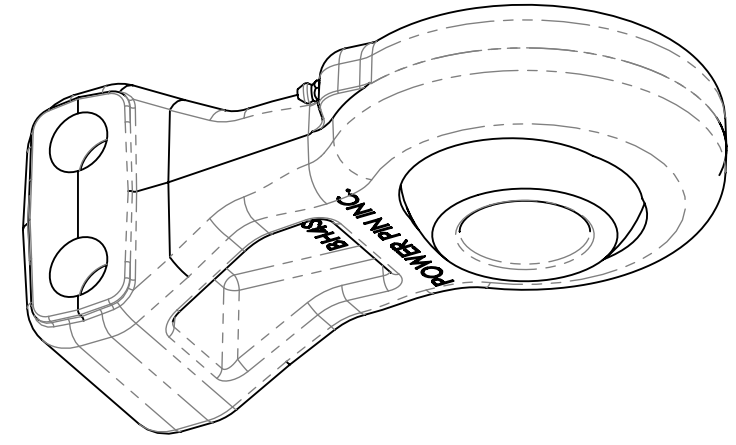
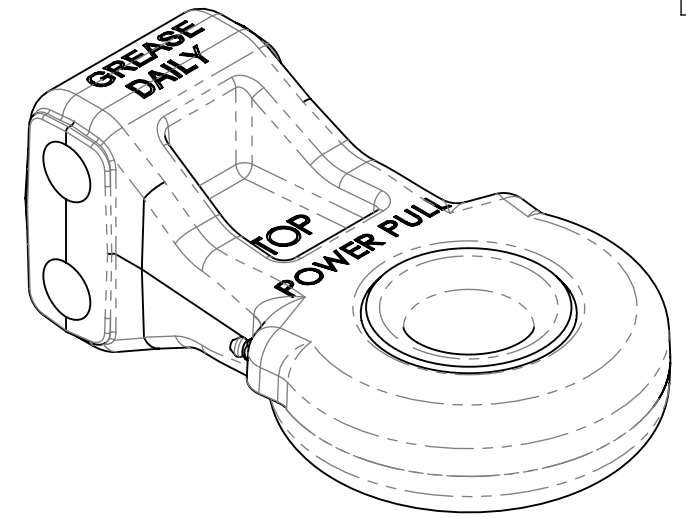
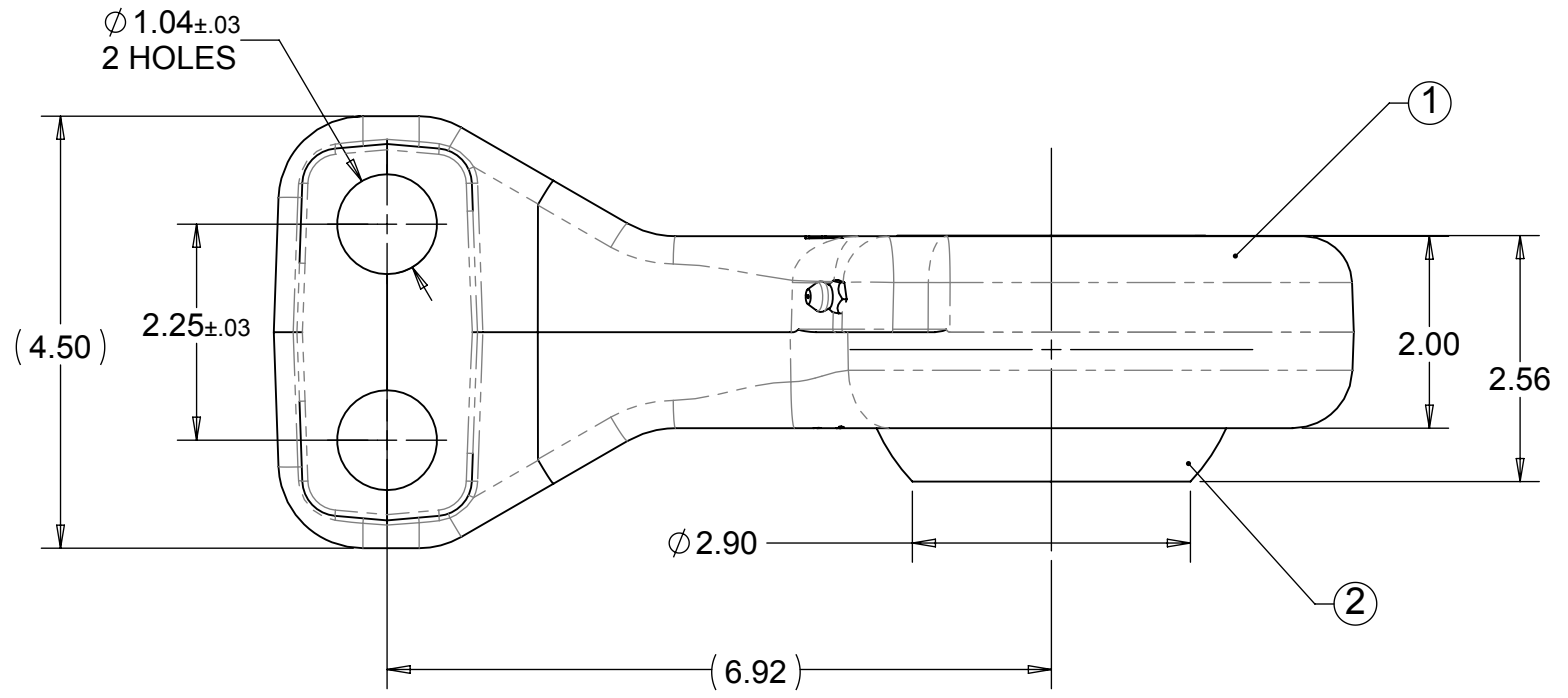


REVISIONS			
REV.	DATE	REVISION	APPROVED



ITEM NO.	PART OR IDENTIFYING NO.	NOMENCLATURE OR DESCRIPTION	MATERIAL SPECIFICATION	QTY REQD
3	HM29	.25 - 28 STRAIGHT THREAD	STEEL	2
2	HM31B	2" ID HARDENED SPHERICAL BUSHING	STEEL	1
1	BH4SAB	CAT.4 BASE HITCH	GRADE 3 ADI	1

UNLESS OTHERWISE SPECIFIED:  
 DIMENSIONS ARE IN INCHES  
 TOLERANCES:  
 FRACTIONAL:  $\pm 1/16$   
 ANGULAR: MACH  $\pm 1^\circ$  BEND  $\pm$   
 TWO PLACE DECIMAL  $\pm .060$   
 THREE PLACE DECIMAL  $\pm .030$   
 INTERPRET GEOMETRIC TOLERANCING PER:  
 MATERIAL: GRADE 3 ADI  
 FINISH:  
 DO NOT SCALE DRAWING

	NAME	DATE
DRAWN	LW	May17/12
CHECKED		
ENG APPR.		
MFG APPR.		
Q.A.		

**POWER PIN INC.**

TITLE: **CAT.4 BALL HITCH ASSEMBLY**

SIZE <b>B</b>	DWG. NO. <b>BH4SABA</b>	REV <b>0</b>
SCALE: 1:2	WEIGHT: 28 LB.	SHEET 1 OF 1